

Back By Popular Demand

Model 2A-2A Controlair®

Pneumatic Marine Valve

Rugged and reliable, the 2A-2A remains a favorite

Rexroth brought back the 2A-2A Controlair due to the valves undying popularity. Captains prefer the 2A-2A Controlair as the clear choice among controls because of its purpose-built design. The “Z” slot cover to guide the handle travel and the ability to lock the handle in position are the main reasons the 2A-2A continues to be a favorite.



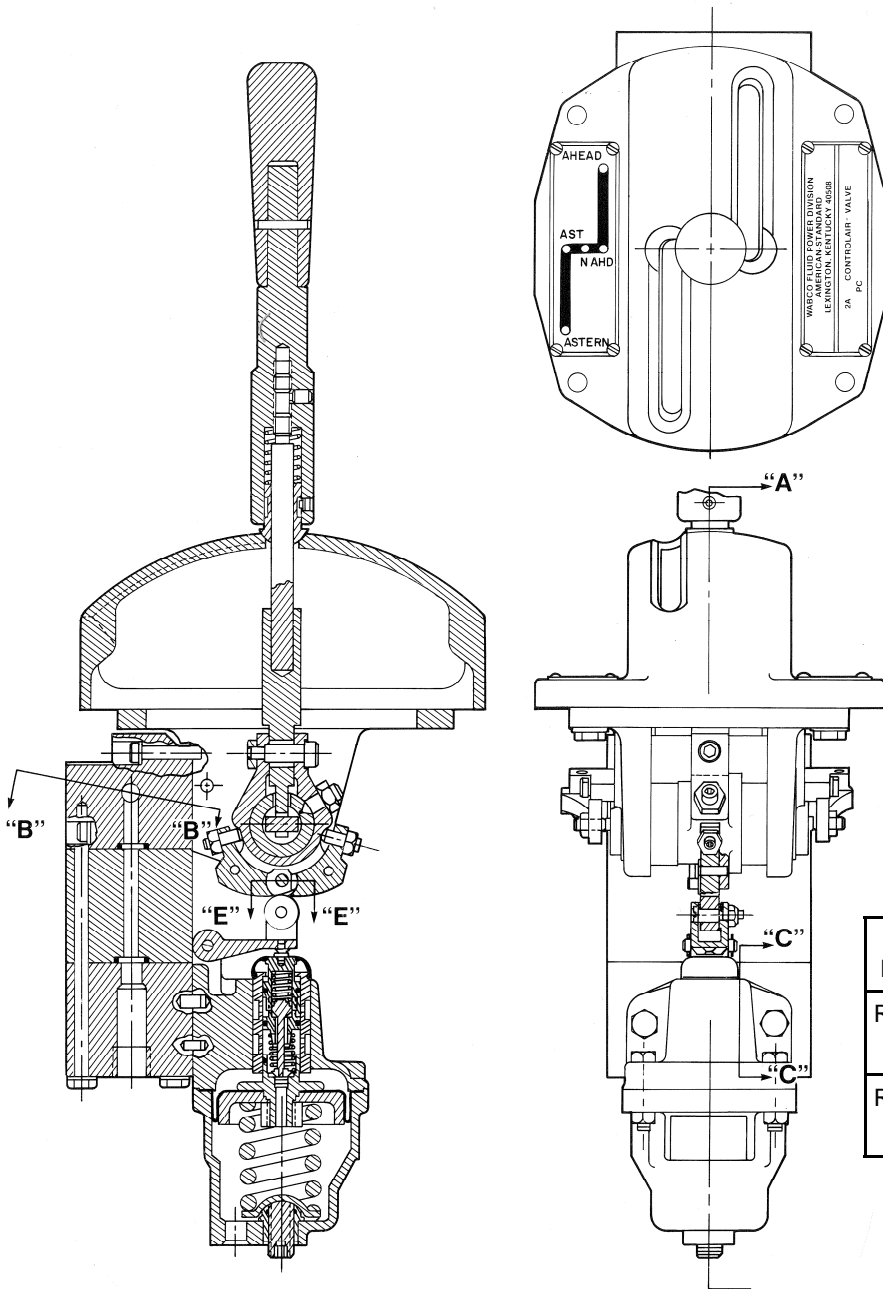
Features

- Single handle movement for direction and speed
- “Z” slotted cover to guide the handle movement
- Polished chrome plated 303 stainless steel cover
- Simplified console installation
- Polished chrome plated brass handle can be locked in position
- Removable pipe bracket for installation and remove from the panel

2A-2A CONTROLAIR® Valve - safe and efficient single lever control

The 2A-2A valve was designed especially for marine control applications. It provides single-handed control of propulsion direction and engine speed for finger-tip maneuvering control. The large easy-to-operate control handle moves through a "Z" slot, putting the clutch in neutral when the handle is in the middle of crossover portion of the "Z". The handle locks in any position simply by twisting the handle.

The deluxe 2A-2A valves are completely constructed of non-ferrous materials for long, hard service. An attractive and durable polished chrome-plated 303 stainless steel cover and chrome-plated brass handle help preserve the rugged good looks of a bridge console where only the finest is good enough.



Ordering Reference

Not recommended for exposed weather deck installation due to open cover slot.

2A-2A Controlair Valve

| New Part Number | Old Part Number | Pressure Range |
|-----------------|-----------------|------------------------------|
| R431009268 | P -065775-00000 | 7 - 61 psi (0.5-4.2 bar) |
| R431009269 | P -065775-00001 | 28 - 71 psi (1.9-4.9 bar) |

Installation Drawing DP65775

Weight - 25 lb. 11.34 kg.